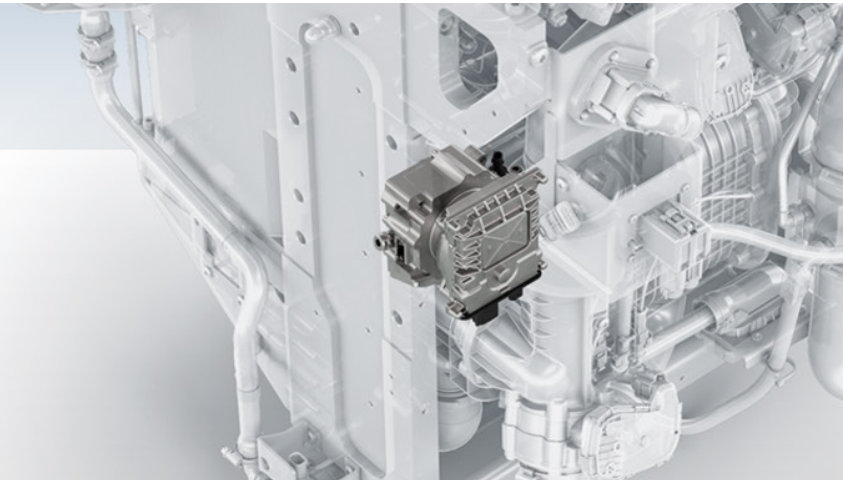
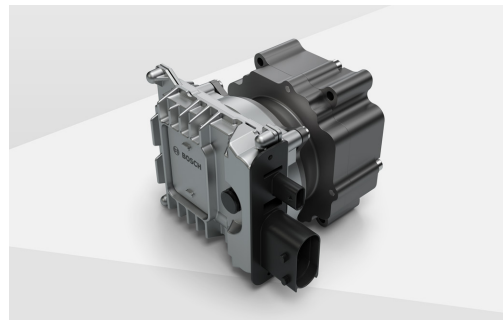


# Anode recirculation blower

For the hydrogen circuit in the anode path of a fuel cell system



**Powertrain and electrified mobility**



Broad  
**spectrum of applications**

through functions such as conditioning/  
purging of the anode path

- Minimal installation space required thanks to integrated power electronics and compact design
- In combination with a jet pump, the component covers the entire requirements range with minimal power consumption
- During the start-up and shut-down process, the blower provides an additional function for conditioning or purging the stack anode path
- Broad spectrum of applications, from passenger cars to heavy-duty commercial vehicles

Small  
**installation space**

thanks to highly compact design and  
integrated electronics